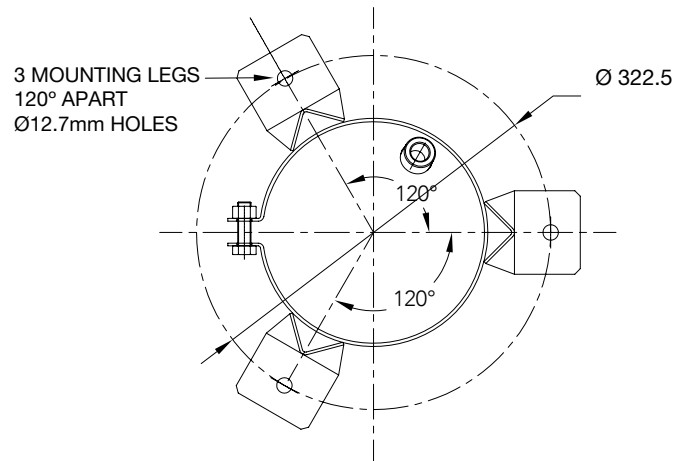
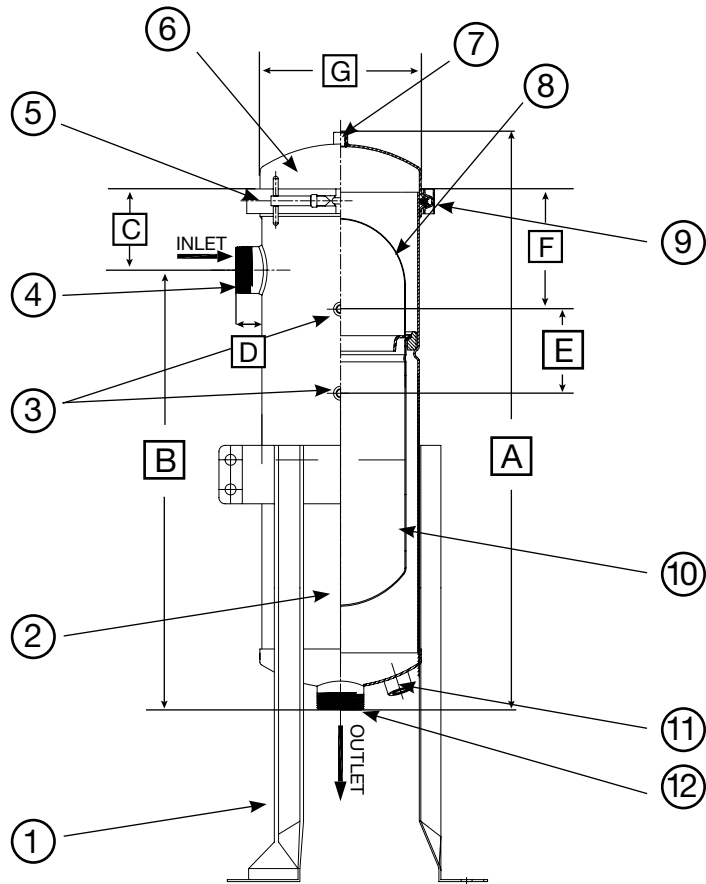


# N510 CHILLED WATER FILTER HOUSING

## TECHNICAL DRAWING



NO.	NAME	MATERIAL
1	Adjustable Legs	304 SS
2	Body	316L SS
3	1/4" BSPF Gauge Ports	316L SS
4	BSPM Inlet Port	316L SS
5	V-band Clamp	304 SS
6	Lid	316L SS
7	1/4" BSPF Vent Port	316L SS
8	Bag Hold Down Device	316L SS
9	Lid O-ring	Buna-N
10	Basket (1/8" Perforated)	316L SS
11	1/2" BSPF Drain Port	316L SS
12	BSPM Outlet Port	316L SS

Product Code	No. of Bags	Bags Size	Port Size	Gauge Port	Gauge2	Mounting Legs	Max Flow	Nominal Dimensions (mm)						
								A	B	C	D	E	F	G
SBH-SPC-1-1-2-GP-ML	1	1	2"BSPM	Yes	Optional	Yes	Up to 300 lpm	737	560	100	34	108	150	202
SBH-SPC-1-1-3-GP-ML	1	1	3"BSPM	Yes	Optional	Yes	Up to 300 lpm	737	560	100	34	108	150	202

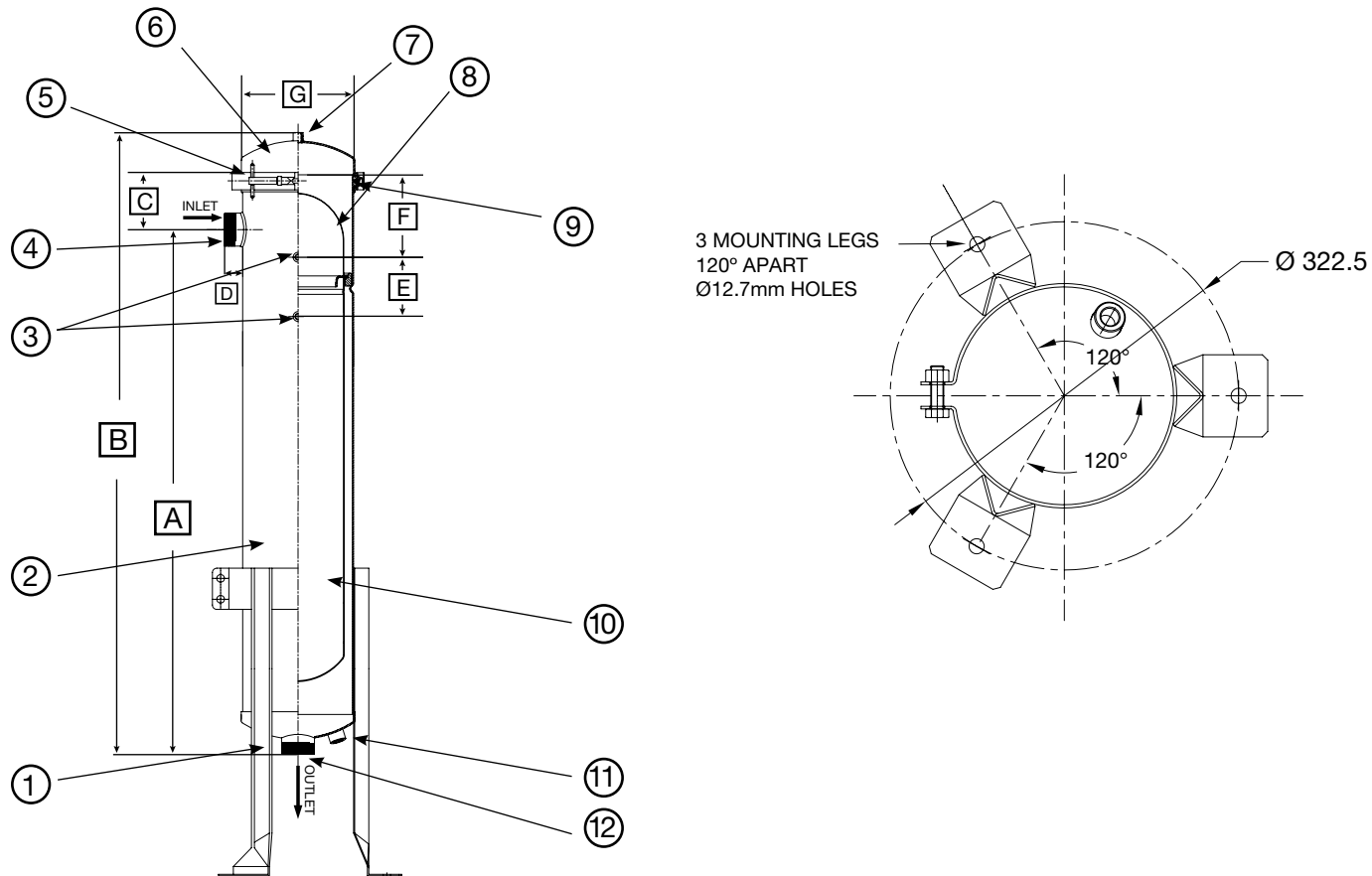


**FILTREX**

SMART FILTRATION

# N510 CHILLED WATER FILTER HOUSING

## TECHNICAL DRAWING



NO.	NAME	MATERIAL
1	Adjustable Legs	304 SS
2	Body	316L SS
3	1/4" BSPF Gauge Ports	316L SS
4	BSPM Inlet Port	316L SS
5	V-band Clamp	304 SS
6	Lid	316L SS
7	1/4" BSPF Vent Port	316L SS
8	Bag Hold Down Device	316L SS
9	Lid O-ring	Buna-N
10	Basket (1/8" Perforated)	316L SS
11	1/2" BSPF Drain Port	316L SS
12	BSPM Outlet Port	316L SS

Product Code	No. of Bags	Bags Size	Port Size	Gauge Port	Gauge2	Mounting Legs	Max Flow	Nominal Dimensions (mm)						
								A	B	C	D	E	F	G
SBH-SPC-1-1-2-GP-ML	1	1	2"BSPM	Yes	Optional	Yes	Up to 300 lpm	737	560	100	34	108	150	202
SBH-SPC-1-1-3-GP-ML	1	1	3"BSPM	Yes	Optional	Yes	Up to 300 lpm	737	560	100	34	108	150	202



# FILTREX

SMART FILTRATION