

AC500 & AC750

HEPA FILTER & UVC AIR CLEANERS



COMPACT AND EFFICIENT AIR PURIFICATION WITH H14 HEPA FILTRATION AND UVC

- Proven Clean Air Delivery Rate (CADR)
- Hygienic & Efficient Airborne Particle Removal
- Robust and Compact Design
- Low Energy and Low Noise Technology
- Continuous 24/7 Working Capacity
- Positive/Negative room pressuring option

Air changes/hour (ACH) and time required for airborne-contaminant removal by efficiency

ACH	Time (mins.) required for removal 99% efficiency	Time (mins.) required for removal 99.9% efficiency
2	138	207
4	69	104
6	46	69
8	35	52
10	28	41
12	23	35

Efficient room air purging with unique diffuser design



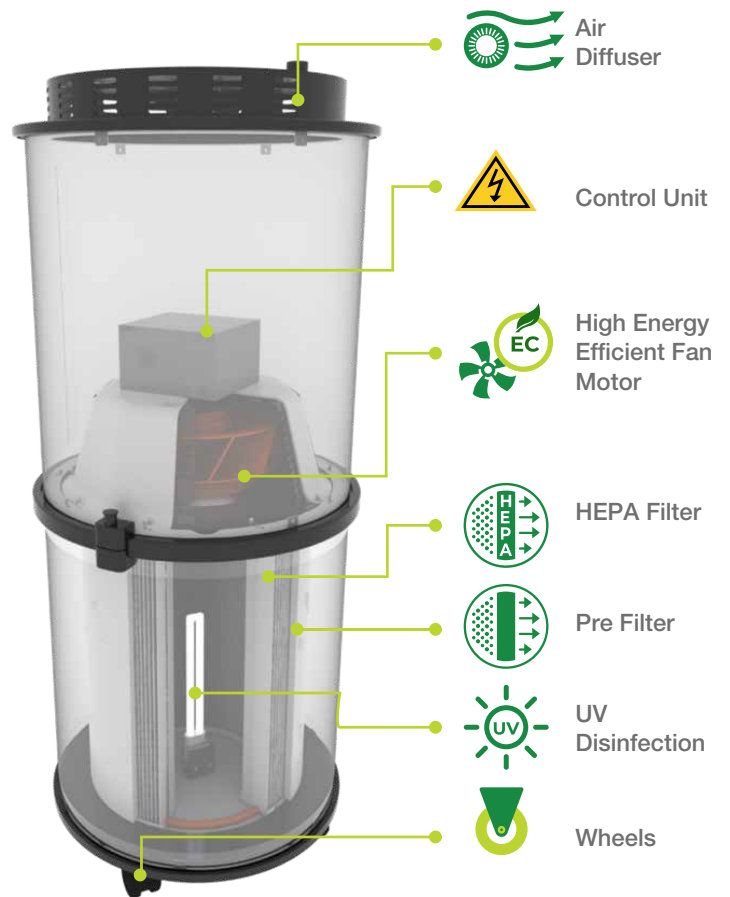
FILTRIX

SMART FILTRATION

TECHNICAL INFORMATION

Particle Diameter	H12	H13	H14
0,1 micron	99,990%	99,995%	99,999%
0,3 micron	99,500%	99,950%	99,995%
0,5 micron	99,970%	99,970%	99,900%

Remove airborne contaminants with high efficiency Hepa filters efficient up to 99.999% @ 0.1 microns and ensure decontamination with UV light. With high clean air delivery rates and specially designed supply air diffuser, the AC range ensures complete air purging.



- Upward air discharge-intake air at bottom
- Complete air mixing – no short circuiting of air
- High Supply-Low Return air-flow pattern
- Efficient particle purging by unique top diffuser design.



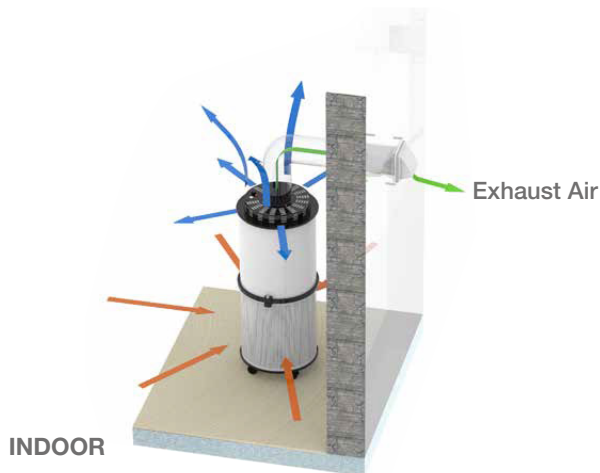
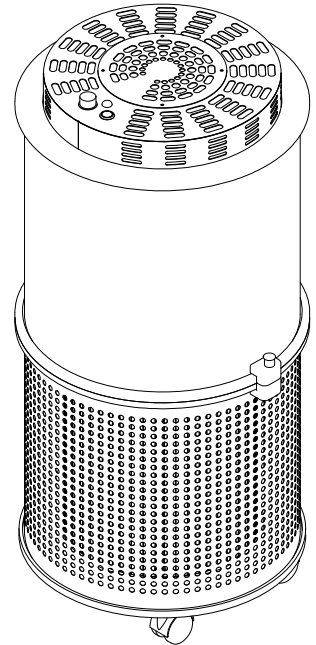
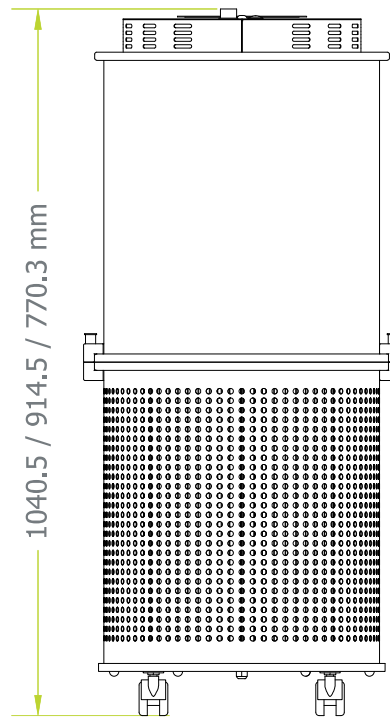
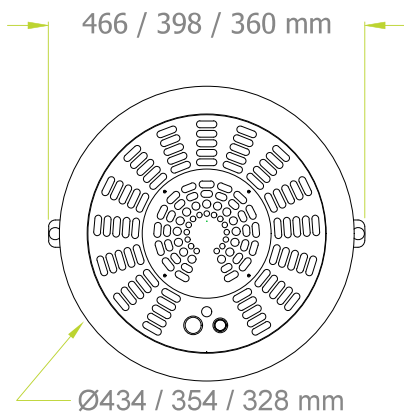
FILTRIX

SMART FILTRATION

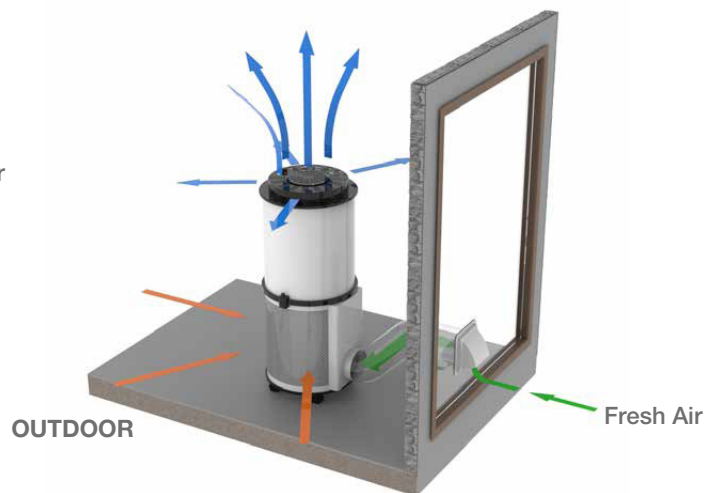
TECHNICAL INFORMATION

DIMENSIONS OF AC500 & AC750

- Filter disinfection by UV lamp
- Easy filter replacement
- Easy maintenance and cleaning
- Odor and gas removing filter option
- Advance noise level reduction



NEGATIVE PRESSURE MODE



POSITIVE PRESSURE MODE



FILTREX

SMART FILTRATION

TECHNICAL SPECIFICATION

TECHNICAL SPECIFICATION		MODEL	
		AC-500	AC-750
Dimensions (WxLxH) mm		340 x 340 x 914.5	410 x 410 x 1040.5
Pack Dimensions (WxLxH) mm		450 x 450 x 1050	520 x 520 x 1180
Actual HEPA Filtered Airflow Rate (max.)		500 m ³ /h	750 m ³ /h
Effective Usage Area (ACH=2) at 2,8 m room height		72 m ²	105 m ²
Recommended Usage Area (for 6 ACH) at 2,8 room height		24 m ²	35 m ²
Room Pressuring Airflow Rate (maximum)	Positive Pressure Mode (Fresh Air)	150 m ³ /h	240 m ³ /h
	Negative Pressure Mode (Exhaust Air)	150 m ³ /h	240 m ³ /h
Filter Types and Efficiencies	Round HEPA Filter & Surface area (Standard)	E12, ≤99.5 MPPS in % 6,55 m ²	H13, ≤99.95 MPPS in % 9,50 m ²
	Main Filter Options	H13, ≤99.95 MPPS in % 6,55 m ² H14, ≤99.995 MPPS in % 6,55 m ²	H14, ≤99.995 MPPS in % 9,50 m ²
	Pre-filter 1 (Standard)	Round Filter G3 (acc. To EN779-2012) Average Arrestance (Am) of syththetic dust (%) 80≤ Am<90	
	Pre-filter 2 (Optional)	Activated Carbon Impregnated Round Filter	
Air Mixing Factor M (ASHRAE Guidelines)		1:1	
Germicidal UV-C Lamp Dosage		PLS soft glass Replaceable, 11 Watt - 19,6 μW/cm ²	
UV lamp Intensity on HEPA filter surfaces (micro-watt per cm squared)		2723	2475
Noise Level (at 1 m distance)	Full speed	< 57 dB(A) / 500 m ³ /h	< 57 dB(A) / 750 m ³ /h
	Normal Mode	< 52 dB(A) / 400 m ³ /h	< 52 dB(A) / 600 m ³ /h
	Eco Mode	< 48 dB(A) / 300 m ³ /h	< 48 dB(A) / 400 m ³ /h
Main Supply voltage and frequency		230 VAC/50-60 Hz	
Fan-Motor Power Input		155 W	212 W
Energy consumption (W/h)	Fan	120 W / 500 m ³ /h	205 W / 750 m ³ /h
		105 W / 400 m ³ /h	160 W / 500 m ³ /h
		90 W / 300 m ³ /h	140 W / 400 m ³ /h
	UV Lamp	11 W	
Fan Motor Type		Backward Curved, Single Inlet AC Centrifugal Fan	
Main body material		Epoxy-Polyester coated galvanized steel	



FILTREX

SMART FILTRATION