

# FX DOWNDRAUGHT BENCH

WITH REVERSE PULSE CLEANING



## FEATURES

- Integrated workbench with dust extraction system.
- Pulse-cleaned filter system for high dust volumes
- 3 standard sizes
- Various filtration options

## APPLICATIONS

Designed for high volume dust extraction applications; complete with integral filter system with air-powered filter cleaning.

Typically for manual processes but can be integrated with other systems.

## CONSTRUCTION

- 2mm steel, fully welded
- Powder coated



DOWN  
DRAUGHT



DUST  
EXTRACTION



EC FAN  
TECHNOLOGY



FUME  
EXTRACTION



# FILTREX

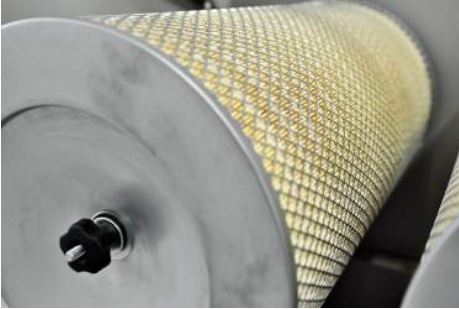
SMART FILTRATION

# FEATURES



## THE FX DOWNDRAUGHT FOR HIGH VOLUME DUSTS

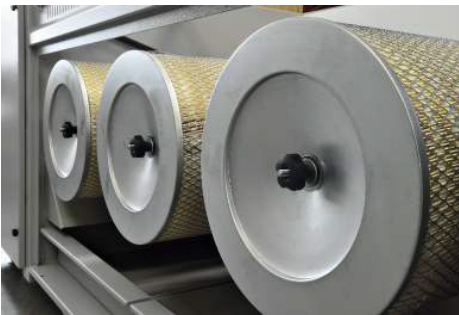
FX Downdraught bench with reverse pulse cleaning is a heavy duty downdraught bench designed specifically for high volumes of non-explosive dusts.



## FILTER OPTIONS

3 standard filtration options allow us to select the most appropriate solution for your dust issue.

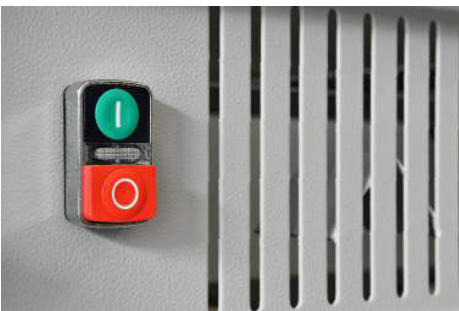
A final H13 HEPA filter is fitted as standard in the RPL variant.



## SIMPLE FILTER CLEANING

Filters are cleaned using compressed air; cleaning is triggered at the push of a button.

A pulse clean system removes the dust cake from each filter in turn, emptying the dust into removable trays for disposal



## CONTROLS

Supplied as standard with a simple push-button start/stop system. Filter cleaning is operated using the same 2-button system. FX Downdraught can be also supplied with timed run or centrally controlled, daisy chained systems.

Speed control is available as a simple option. Every unit is fitted with filter condition monitoring via a pressure loss gauge.



## LARGE VENTILATED AREA

FX Downdraught types all provide a ventilated area of 1200 x 900mm, allowing operators to work across a large part of the bench surface and remain protected.

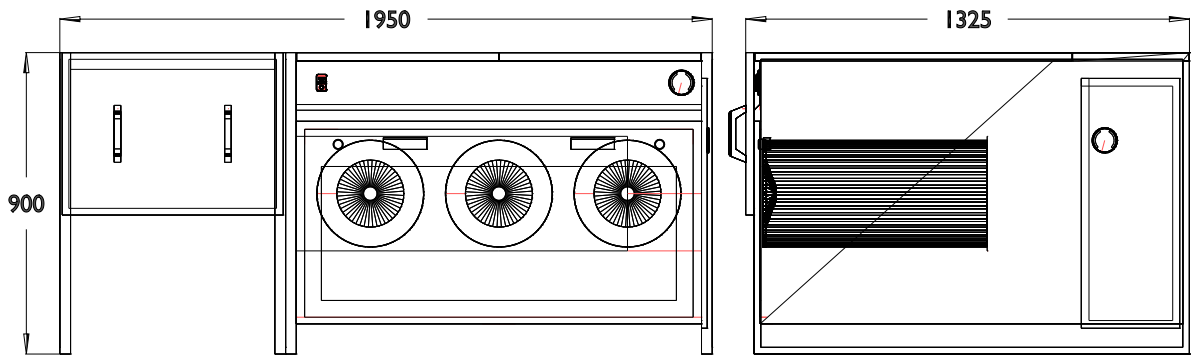


# FILTREX

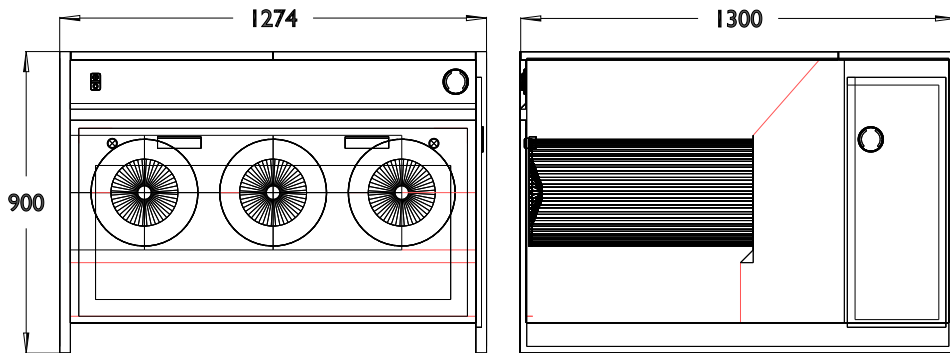
SMART FILTRATION

# DIMENSIONS

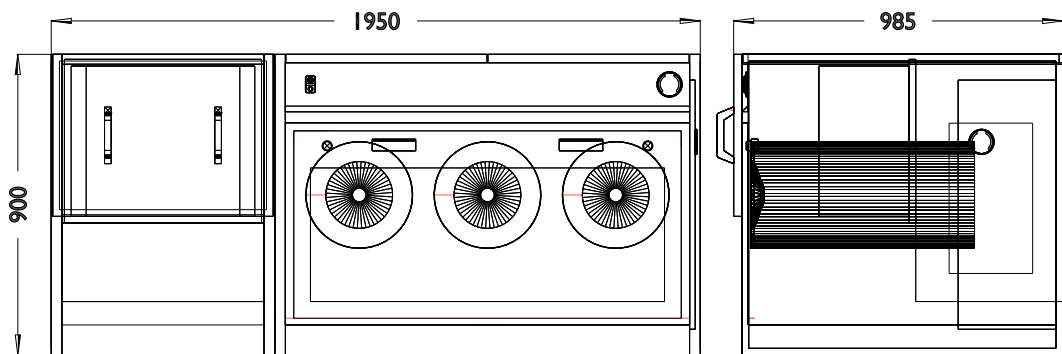
- RPL1212



- RP1212



- RP1920



**FILTREX**

SMART FILTRATION

# SPECIFICATIONS

## TECHNICAL DATA

MODEL	WIDTH A	OVERALL DEPTH B	HEIGHT C	VENTILATED AREA		POWER kw	VOLUME @100Pa
				WIDTH D	DEPTH E		
RPL1212	1950	1300	900	1210	956	1.25	4250
RP1212	1274	1300	900	1210	956	1.25	4250
RP1920	1950	985	900	1210	956	1.25	4250

## FILTER OPTIONS

	FILTER CLASSIFICATION	PRE		FINAL		FITTED UNITS TO
M	General Dusts	-		F7		RP1212, RP1920
F	Fine Dusts	F7		H13		RPL1212

## GENERAL

POWER SUPPLY	240v/1ph
AIR SUPPLY	Clean, dry air at 5bar
NOISE LEVEL	<70dBA at 1m (excludes pulse)
MOTOR	Backward Curved Centrifugal Fan with EC Motor
FINISH (STD)	Textured grey powder coat

## OPTIONS

Speed control	Castors
Airline interlink	Enclosures
Timed run	Racking
Height adjustment	Alternative power supply (110v / 415v)
Special filter configurations	See <a href="http://airbench.com/accessories">airbench.com/accessories</a>

## SEE ALSO

Carbon Filter Effectiveness	Accessories
-----------------------------	-------------



# FILTREX

SMART FILTRATION